

# mezz

## Barriers and Safety Gates

*Pallet Gate Comparison Guide*



*Edge Protection for Your Workforce*

[www.mezzbarriers.co.uk](http://www.mezzbarriers.co.uk)

**0161 230 2292**



Mezz Barriers & Safety Gates  
Div of Dale Group of Companies

2 Kelbrook Road, Manchester M11 2QA

Tel 0161 230 2292 Fax 0161 223 6767

Mezz Barriers is a division of the Dale Lifting and Handling Specialists based in Manchester

Established in 1830 we can offer you a wealth of knowledge in providing innovative and cost-effective solutions for Safety at Work. Here at Mezz Barriers we continue that tradition

by providing purpose made, high quality safety barriers and enclosures for guarding:

- High level platforms
- Hoist landing areas
- Mezzanine opening
- Loading docks
- Roof edges
- Vertical ladder access



Plus many more work related accident prevention systems

## Pallet Gates

Our high level loading / pallet loading gates are manufactured to EC safety standards and offer almost fool-proof safety solutions by providing edge protection to all persons at risk - Not just the guy wearing a safety harness, if he remembers to put it on!

Our pallet loading gates and handrail systems offer complete protection by fully enclosing the landing area. This ensures all personnel in the vicinity of the loading operations are kept safe from falling through the opening and safe from injury by coming into contact with a moving load.

Our pallet gates have been developed to cater for most applications. However, should you not find a model for our extensive range to suit your application, please do not hesitate in contacting us. We are continuously producing new and modified designs so we may still have the answer to your particular problem.

We offer twelve models, shown on the next pages. We have presented these in graphic form and a at-a-glance chart to show you the main features and benefits.

However, If you need help in choosing the right gate for you, please do not hesitate in contacting us on: **0161 230 2292** to discuss your applications.

95% of our gates are supplied and fitted by the client without us ever visiting the site. For the more complex situations a quick sketch and or photos can usually provide us with enough information to quote. Most models are usually quite simple to install. However, we provide an installation service (Subject to location) if needed.



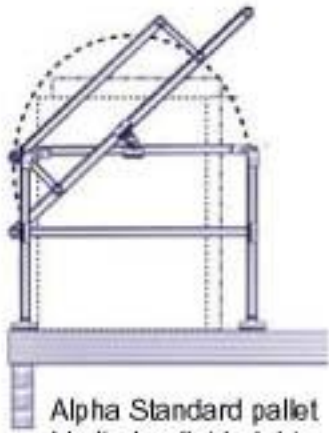
### Could this happen in your workplace?

Falling from height continues to be the most common type of accident. Last year 2008 - 58 workers died and 3681 were seriously injured.

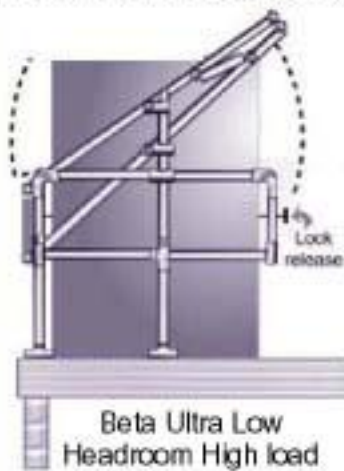
Our innovative edge protection solutions can help you to protect your personnel against falls from height



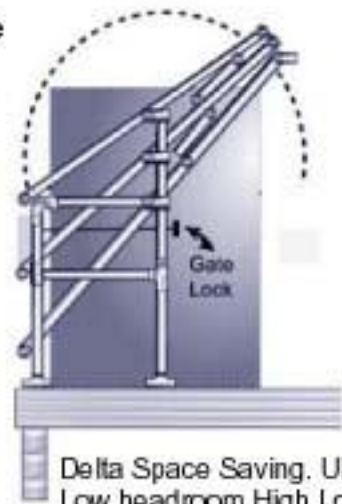
**Mezz Barriers - Pallet Gates at-a-glance**



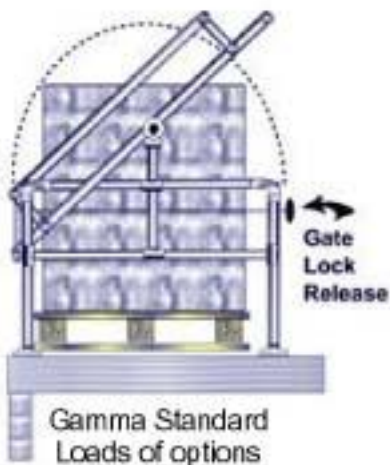
Alpha Standard pallet  
Limited pallet height



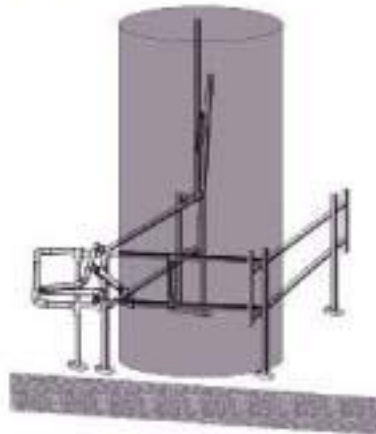
Beta Ultra Low  
Headroom High load



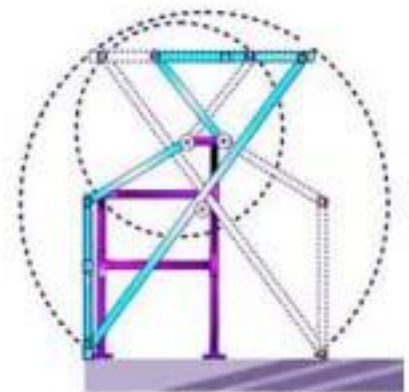
Delta Space Saving. Ultra  
Low headroom High Load



Gamma Standard  
Loads of options



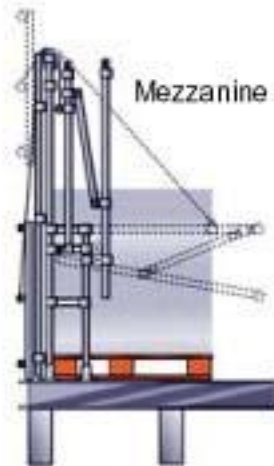
Hi-Gate (Unlimited Load Height)  
Use with Hoist or Forklift



Kappa Spacing Saving  
Low headroom High Load  
Load of options



Omega Max Space saving  
Larger Loads



Omega Folding Max  
Space Saving



Omega Folding  
Very narrow depth

Model	Max Pallet Height	Internal Depth	Internal Width*	Min Height Requirement	Options**	Special Features
Alpha	1400 mm at edge 1600 mm at 100 mm back	1400 mm	200 mm less than Outer width	2000 mm	2 sizes outer width 1600 mm wide 2000 mm wide	Economy price Ex stock Carriage paid
Beta	1800 mm - 2500 mm	1500 mm	250 mm less than Outer width	250 mm higher than load height	-	Economy low headroom Gravity lock
Delta	1800 mm - 2500 mm	1500 mm	250 mm less than Outer width	250 mm higher than load height	Kick plate	Toe rail Space saving Low headroom Gravity lock
Gamma	1500 mm - 2000 mm	2000 mm	250 mm less than Outer width	585 mm higher than load height	Toe rail, kick plate, Mesh or net infill	Economy Gravity lock
Hi-Gate	No limit	2000 mm	2300 mm allow 100 mm min extra	1250 mm more than pallet width	Lower min headroom model	Anti-slam damper Use with overhead hoist
<b>New</b> Kappa	2000 mm - 2500 mm	2000 mm	250 mm less than Outer width	450 mm higher than load height	Kick plate Mesh or net infill Anti-slam damper	Low headroom Space saving
Omega	2000 mm - 2500 mm	1500 mm	200 mm less than Outer width	1150 mm higher than load height	Kick plate Mesh or net infill	Max space saving
<b>New</b> Omega Folding	1800 mm - 2500 mm	1500 mm	200 mm less than Outer width	1150 mm higher than load height	Kick plate mesh or net infill	Space saving - Can be used outboard Roller shutter

\* When calculating internal width, we recommend you add 200mm clearance to maximum pallet width.

\*\* Standard finish galvanised steel - For further options please contact us.

For more detailed specifications contact us.